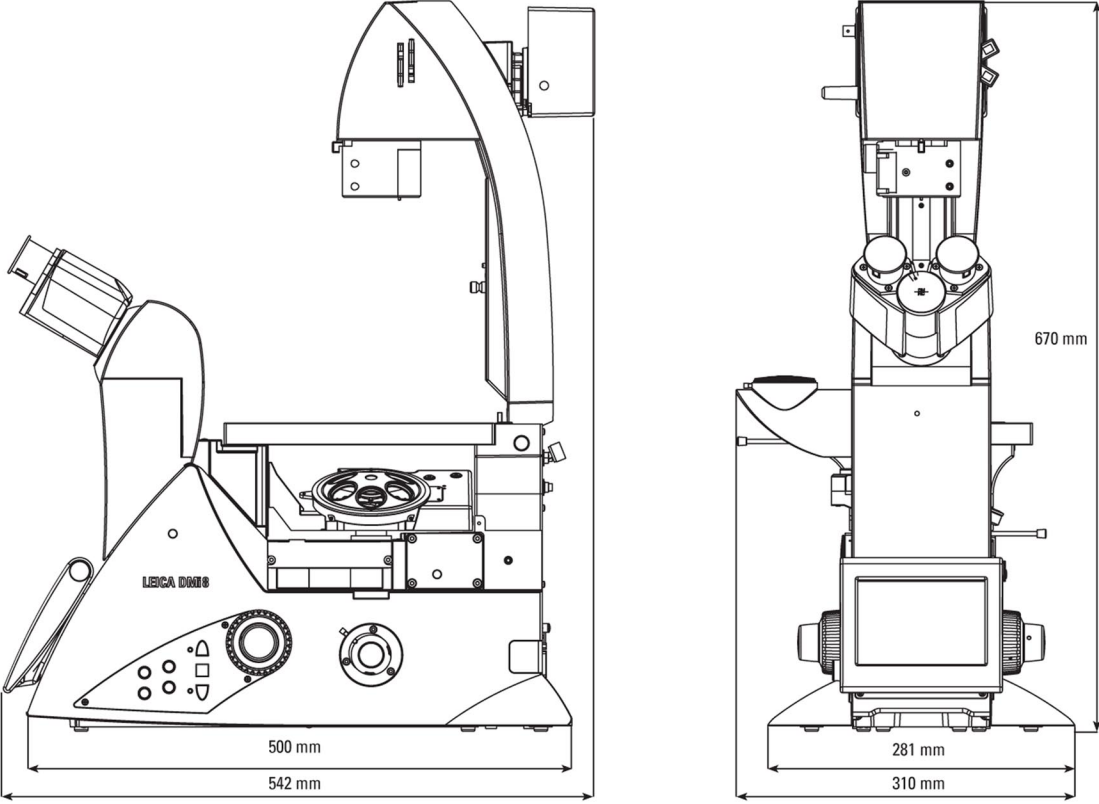


SPECIFICATIONS FOR DMi 8 INVERTED MICROSCOPE

Power	100-240 v
Dimension	 <p>The image contains two technical line drawings of the Leica DMi 8 inverted microscope. The left drawing is a front view showing the microscope's base, control panel, and objective lenses. Dimensions are indicated: 500 mm for the width of the main body and 542 mm for the total width including the control panel. The right drawing is a side view showing the vertical column and eyepieces. A dimension of 670 mm is shown for the height of the main column. At the base of the side view, two dimensions are given: 281 mm for the width of the main column and 310 mm for the total width of the base.</p>
Weight	62 Kgs